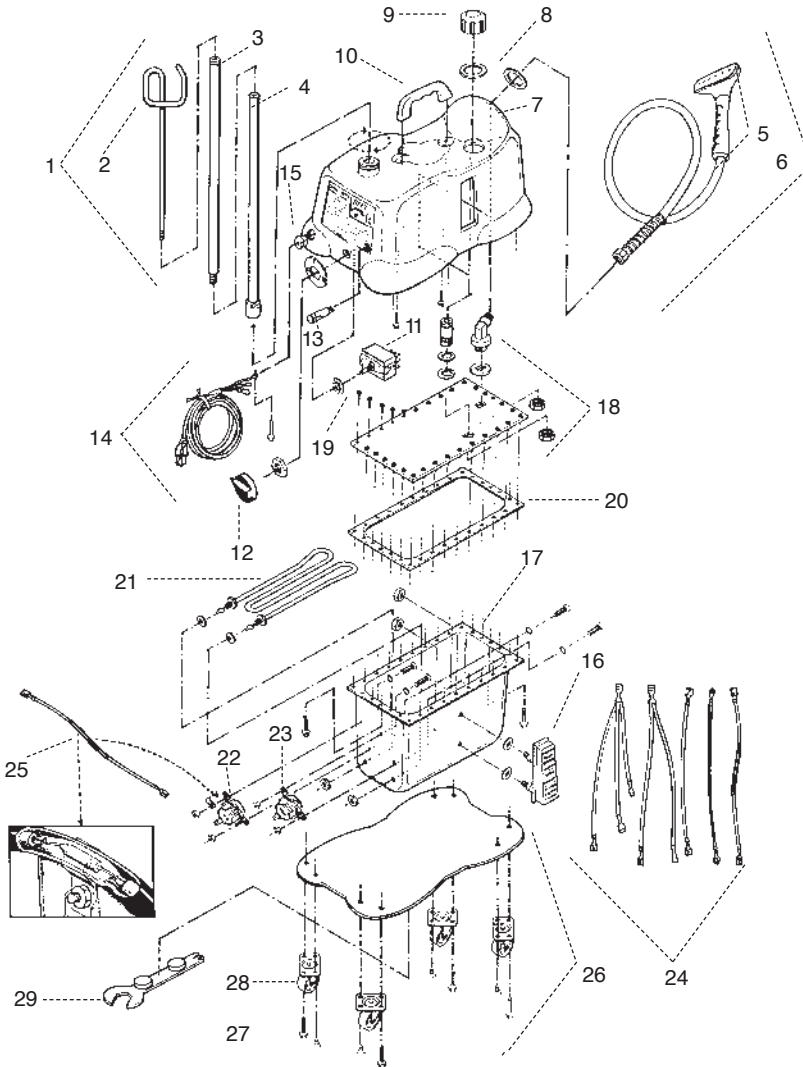


# J-4000 Parts Diagram

For models manufactured after March 2005.

Should you ever need replacement parts for your Jiffy Steamer, you may purchase them separately. Use this convenient diagram and parts list to identify any part you may need. Please reference the Jiffy Steamer part number, model number and serial number when ordering.



Key #	Part #	Part Description	Price
1	<b>1030</b>	Rod Set and Nut Complete with Metal Studs	\$ 30.00
	<b>0034</b>	RodSet and Nut Complete for Drapery Steamers	\$ 34.00
2	<b>0035</b>	Hook Section of Rod Set	\$ 7.50
3	<b>0036</b>	Middle Section of Rod Set (with barrel stud and cap screw)	\$ 8.50
4	<b>1033</b>	Bottom Section of Rod Set (with Nut Attached)	\$ 15.50
	<b>0037</b>	Bottom Section of Rod Set (without Nut)	\$ 8.50
	<b>0038</b>	Additional Middle Section of Rod Set for Drapery Steamers	\$ 8.50
	<b>0043</b>	Metal Threaded Cap Screw for Rod Set	\$ 1.75
	<b>0039</b>	Metal Threaded Stud for Rod Sections	\$ 1.75
5	<b>0253</b>	Plastic Steam Head/Handle Replacement Kit	\$ 25.00
6	<b>0251</b>	Plastic Head/Handle Hose Attachment Complete	\$ 58.00
	<b>0280</b>	Hose Per Foot (Black in Color)	\$ 3.50
7	<b>1301</b>	J-4000 Die Cast Aluminum Housing	\$ 82.00
	<b>0006</b>	Hex Beauty Ring	\$ 1.00
8	<b>0004</b>	Round Beauty Ring	\$ 1.00
	<b>0049</b>	Water Fill Cap	\$ 7.50
9	<b>0049P</b>	Pressure Release Water Fill Cap	\$ 7.50
	<b>0053</b>	Funnel	\$ 4.25
10	<b>0054</b>	Housing Handle with Two Screws	\$ 8.25
11	<b>0199</b>	Rotary Power Switch and Knob	\$ 14.00
12	<b>0201</b>	Replacement Knob Only for Rotary Power Switch	\$ 1.75
13	<b>1310</b>	Red Neon Pilot Light (120VOLT)	\$ 5.50
	<b>1311</b>	Red Neon Pilot Light (230VOLT)	\$ 5.50
14	<b>0133</b>	Cord Set (14/3gauge) with Strain Relief	\$ 11.00
15	<b>0133B</b>	Cord Strain Relief	\$ 1.75
16	<b>0050</b>	Water Level Sight Gauge with Nuts and Washers	\$ 38.00
	<b>1353</b>	Stainless Steel Boiler Tank Kit Complete(120Volt/1500Watts)	\$180.00
	<b>1354</b>	Stainless Steel Boiler Tank Kit Complete(230Volt/1500Watts)	\$180.00
	<b>0074A</b>	Stainless Steel Boiler Tank with Sight Gauge (J-4)	\$ 90.00
17	<b>0074C</b>	Stainless Steel Boiler Tank Only	\$ 54.00
18	<b>1370</b>	Stainless Steel Boiler Tank Lid with 2 Brass Fittings and 2 Beauty Rings	\$ 32.00
19	<b>0071</b>	Boiler Tank Screw Set (Set of 30)	\$ 7.00
	<b>0061</b>	Boiler Tank Silicone Sealer (2.8 Fluid Ounces)	\$ 5.50
	<b>0062</b>	Boiler Tank Silicone Sealer (10.1 Fluid Ounces)	\$ 10.00
20	<b>0075</b>	Boiler Tank Gasket	\$ 10.00
21	<b>0063</b>	"W" Bend Heating Element (120 Volt,1500 Watt) with Hardware	\$ 32.00
	<b>0064</b>	"W" Bend Heating Element (230 Volt,1500 Watt) with Hardware	\$ 32.00
22	<b>0203</b>	Preheat Thermostat (L-170)	\$ 10.00
23	<b>0204</b>	Steam Thermostat (L-220)	\$ 10.00
24	<b>0155</b>	Internal Wire Set (Set of 5 Wires)for "W" Bend Element	\$ 10.00
25	<b>0158</b>	Fusable Link Wire with Insulated Cap and Clamp	\$ 3.50
26	<b>1320</b>	Bottom Plate with Four Casters	\$ 21.00
27	<b>0017</b>	Bottom Plate Screws (Set of 4)	\$ 1.00
28	<b>0018</b>	Bottom Plate Casters (Set of 4)	\$ 7.50

### Accessories

	<b>1026</b>	"I" Kit - 5.5' Hose with Four Attachments	\$105.00
	<b>1027</b>	"I" Kit - 7.5' Hose with Four Attachments	\$112.00
29	<b>1050</b>	Jiffy Steamer Assembly Wrench	\$ 5.00
	<b>0259</b>	AutoHoseAttachmentwithDualMetalHeads	\$ 95.00
	<b>0257</b>	CarpetHoseAttachmentwith12"wideMetalHead	\$ 87.00
	<b>0252</b>	7.5'DraperyHoseAttachmentwithPlasticSteamHead	\$ 65.00
	<b>0255</b>	7.5'DraperyHoseAttachmentwithMetalSteamHead	\$ 88.00
	<b>0254</b>	Metal Head/Wood Handle Hose Attachment Complete	\$ 81.00
	<b>0256</b>	Metal Head / Wood Handle Only	\$ 43.50
	<b>0269</b>	Replacement Wooden Handle (for Metal Steam Heads)	\$ 8.25
	<b>0262</b>	Wig Hose Attachment	\$ 68.00
	<b>0274</b>	Brass Hat Nozzle Attachment	\$ 15.00
	<b>1062</b>	Steam Cleaning "B" Brush Hose Attachment	\$ 70.00
	<b>1063</b>	Brush Only for the B" Hose Attachment	\$ 10.00
	<b>0053</b>	Funnel	\$ 18.00
			\$ 4.25

## Jiffy Steamer Company, LLC





 jiffysteamer.com      Manufacturing Plant:  
 info@jiffysteamer.com      4462 Ken-Tenn Highway  
 1.731.885.6690      Union City, Tennessee 38261  
 1.731.885.6692      United States of America

# J-4000 Parts Diagram

Before attempting any repair on a Jiffy Steamer product, make sure that it is unplugged from the outlet. If you have any questions, please contact our repair department at 1-800-525-4339 between 7:30 AM - 4:00 PM Central Time.

**Caution:**  
Insure that the power cord is unplugged from the electrical outlet before attempting to repair your Jiffy Steamer.

## Jiffy Steamer Company, LLC

 [jiffysteamer.com](http://jiffysteamer.com)    Manufacturing Plant:  
 [info@jiffysteamer.com](mailto:info@jiffysteamer.com)    4462 Ken-Tenn Highway  
 1.731.885.6690    Union City, Tennessee 38261  
 1.731.885.6692    United States of America

