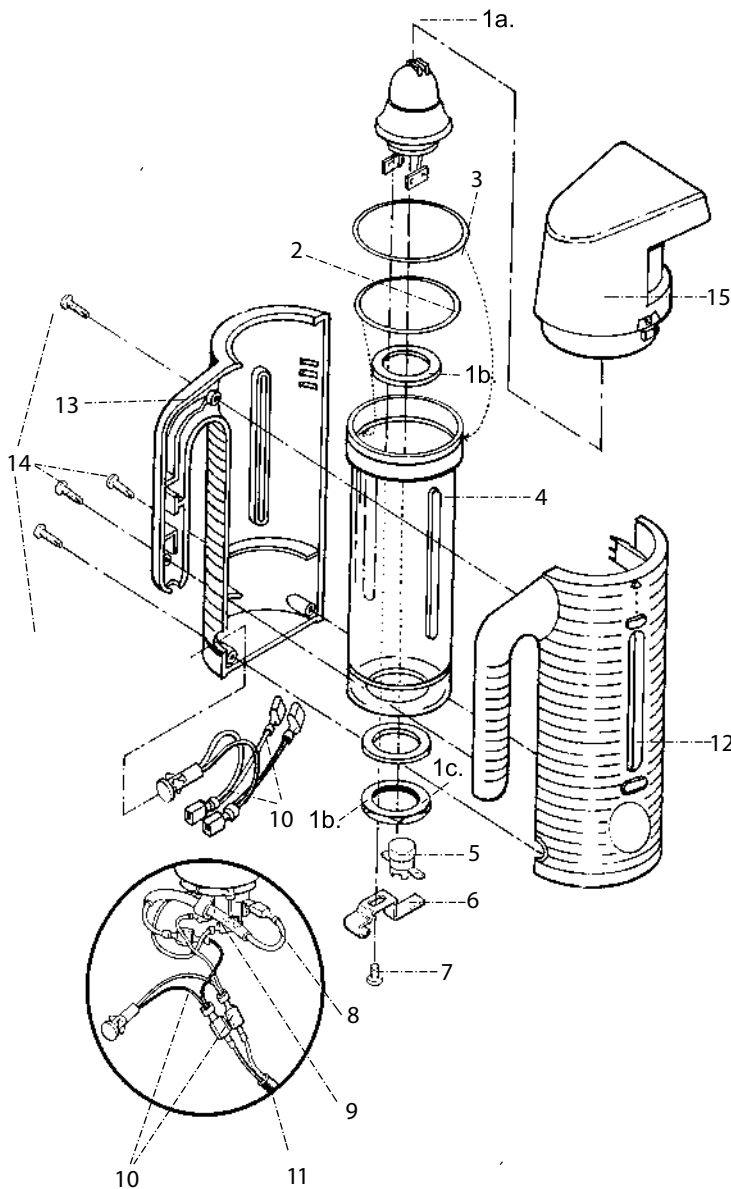


ESTEAM Parts Diagram

Should you ever need replacement parts for your Jiffy Steamer, you may purchase them separately. Use this convenient diagram and parts list to identify any part you may need. Please reference the Jiffy Steamer part number, model number and serial number when ordering.



Key #	Part #	Part Description	Price
1a	0653	ESTEAM 120 Volt 600 Watt Heater with Gaskets and Nut	\$ 20.00
	0655	ESTEAM 230 Volt 600 Watt Heater with Gaskets and Nut	\$ 20.00
1b		Gasket for ESTEAM Heater (Set of Two)	\$ 3.00
1c		Nut for ESTEAM Heater	\$ 2.50
2	0661	Red Inside O-Ring	\$ 1.75
3	0662	Black Outside O-Ring	\$ 1.75
4	0669	ESTEAM Water Tank	\$ 24.00
5	0640	ESTEAM 36 T-L263 Thermostat	\$ 7.75
6	0643	Fusible Link Clamp	\$ 1.75
7	0644	Fusible Link Clamp with Screw	\$ 0.75
8	0641	Fusible Link Wire with Insulated Lug (Orange)	\$ 3.00
9	0681	Red Wire with Insulated Lug	\$ 1.75
10	0645	Pilot Light with Wiring Harness for 120 Volt Electrical Systems	\$ 8.25
	0646	Pilot Light with Wiring Harness for 230 Volt Electrical Systems	\$ 8.25
11	0647	Cord Set (18/2 gauge)	\$ 8.25
12	0665	Right Case Half	\$ 16.25
13	0666	Left Case Half	\$ 16.25
14	0667	Four Screws for ESTEAM Outer Case Halves	\$ 1.25
15	0663	Complete Steam Cap with Face Plate	\$ 23.00

Accessories

0619	Voltage Converter for Travel	
0899	Liquid Cleaner - 3 Ten Ounce Bottles per Package*	\$ 22.00
	*Not Available for Export	\$ 18.00

Jiffy Steamer Company, LLC

 jiffysteamer.com
 info@jiffysteamer.com
 1.731.885.6690
 1.731.885.6692

Manufacturing Plant:
 4462 Ken-Tenn Highway
 Union City, Tennessee 38261
 United States of America