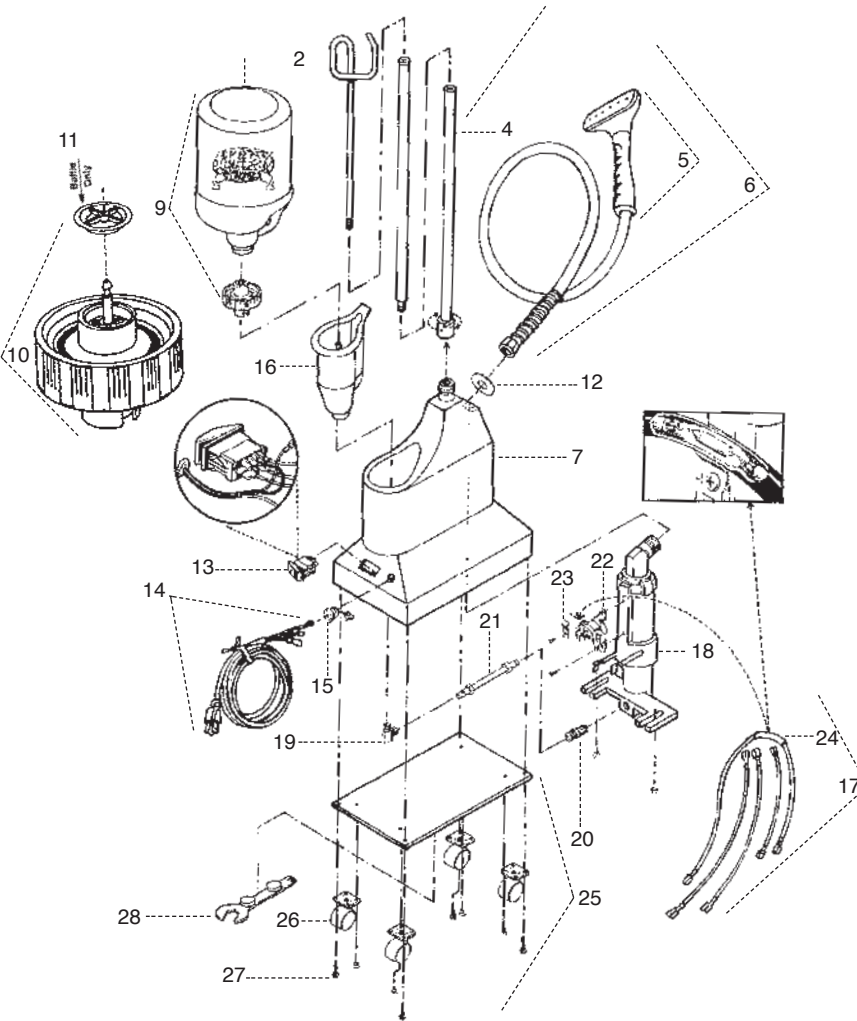


J-2 Parts Diagram

Should you ever need replacement parts for your Jiffy Steamer, you may purchase them separately. Use this convenient diagram and parts list to identify any part you may need. Please reference the Jiffy Steamer part number, model number and serial number when ordering.



Key #	Part #	Part Description	Price
1	1030	Rod Set and Nut Complete with Metal Studs	\$30.00
	0031	Hose Hanger Rod Set with Adapter Complete	\$30.00
	0031A	Hose Hanger Rod Set without Adapter Complete	\$25.00
	0041	Base Adapter with Thumb Screw (for Old Style Rods Sets)	\$ 5.00
2	0035	Hook Section of Rod Set	\$ 7.50
3	0036	Middle Section of Rod Set	\$ 8.50
4	1033	Bottom Section of Rod Set (with Nut Attached)	\$15.50
	0037	Bottom Section of Rod Set (without Nut)	\$ 8.50
	0043	Metal Threaded Cap Screw for Rod Set	\$ 1.75
	0039	Metal Threaded Stud for Rod Sections	\$ 1.75
5	0253	Plastic Steam Head/Handle Replacement Kit	\$25.00
6	0251	Plastic Head/Handle Hose Attachment Complete	\$58.00
	0280	Hose Per Foot (Black in Color)	\$ 3.50
7	0003B	Painted Die Cast Aluminum Housing Kit - 120 Volt	\$60.00
	0003C	Painted Die Cast Aluminum Housing Kit - 230 Volt	\$60.00
	0023	Plastic Water Bottle "A" with Cap	\$ 7.50
	0027	Replacement Cap for Water Bottle "A"	\$ 1.00
8	0026A	Plastic Water Bottle "B" without Check Valve Cap	\$ 6.75
9	0025	Plastic Water Bottle "B" with Check Valve Cap	\$11.00
10	0027A	Replacement Check Valve Cap for Water Bottle "B"	\$ 4.50
11	0027B	Replacement Check Valve Cap Baffle Only	\$ 0.35
12	0004	Round Beauty Ring	\$ 1.00
	0122	Toggle Switch (3 Pieces)	\$ 8.50
	0127	Red Neon Pilot Light with Lock Ring 120 Volt	\$ 5.00
	0128	Red Neon Pilot Light with Lock Ring 230 Volt	\$ 5.00
13	1125	Green Lighted Contura Rocker Switch 120 Volt	\$10.50
	1126	Green Lighted Contura Rocker Switch 230 Volt	\$10.50
14	0132	Cord Set (16/3 gauge) with Strain Relief	\$11.00
15	0132B	Cord Strain Relief	\$ 1.75
16	0028	Water Cup with 90 Degree Brass Fitting	\$21.00
	0147	Internal Wire Set for Models with Front Red Light	\$10.50
17	0148	Internal Wire Set for Models with Green Contura Rocker Switch	\$10.50
	0596	Heating Unit Kit (wiring included) for Models with Front Red Light - 120 Volt Cord Set and 4" Water Line	\$ 95.00
	0177A	Heating Unit Kit (wiring included) for Models with Front Red Light - 230 Volt Cord Set and 4" Water Line	\$ 95.00
	0597	Heating Unit Kit (wiring included) for Models with Green Lighted Rocker Switch - 120 Volt Cord Set and 4" Water Line	\$ 95.00
	0597A	Heating Unit Kit (wiring included) for Models with Green Lighted Rocker Switch - 230 Volt Cord Set and 4" Water Line	\$ 95.00
18	0161A	Heating Unit Assembly (no wiring included) - 120 Volt and 4" Water Line	\$ 72.50
	0162A	Heating Unit Assembly (no wiring included) - 230 Volt and 4" Water Line	\$ 72.50
19	0030	Brass 90 Degree Elbow Joint	\$ 3.00
20	1130	3/8" x 1/4" Straight Brass Fitting for Heating Element Housing	\$ 3.00
21	0591	Copper Tube (4" length) with Nuts and Compression Rings	\$ 5.00
	1191	Copper Tube (4 1/2" length) with Nuts and Compression Rings	\$ 5.00
	0187	Copper Tube (5" length) with Nuts and Compression Rings	\$ 5.00
22	0160	L-290 Thermostat	\$10.00
23	0195	Fusible Link Clamp	\$ 1.75
24	0151	Fusible Link Wire with Insulated Lug and Clamp	\$ 3.50
25	0009	Bottom Plate with Casters	\$15.50
26	0011	Bottom Plate Casters (Set of 4)	\$ 7.50
27	0010	Screws for Bottom Plate (4 Screws Total)	1.00

Accessories

	1026	"I" Kit - 5.5' Hose with Four Attachments	\$
28	1050	Jiffy Steamer Assembly Wrench	\$ 5.00
	0274	Brass Hat Nozzle Attachment	\$15.00
	0254	Metal Head/Wood Handle Hose Attachment Complete	\$81.00
	0256	Metal Head / Wood Handle Only	\$43.50
	0269	Replacement Wooden Handle (for Metal Steam Heads)	\$ 8.25
	0262	Wig Hose Attachment	\$68.00
	1062	Steam Cleaning "B" Brush Hose Attachment	\$70.00
	1063	Brush Only for the "B" Hose Attachment	\$10.00
	0899	Liquid Cleaner - 3 Ten (10) Ounce Bottles per Package*	18.00

*Not Available for Export.

Jiffy Steamer Company, LLC

🌐 jiffysteamer.com

✉ info@jiffysteamer.com

☎ 1.731.885.6690

📠 1.731.885.6692

Manufacturing Plant:

4462 Ken-Tenn Highway

Union City, Tennessee 38261

United States of America

J-2 Wiring Diagram



Worldwide Leader in Steaming
Equipment Since 1940

Before attempting any repair on a Jiffy Steamer product, make sure that it is unplugged from the outlet. If you have any questions, please contact our repair department at 1-800-525-4339 between 7:30 AM - 4:00 PM Central Time.

Please note switch terminal 2, 3, 5 and 6 indicated on the enlarged switch diagram are marked on the actual switch. Jiffy® Steamers manufactured before May 2000 are not marked with the terminal switch numbers. Numbers in parenthesis refer to the drawing on on the right.

1. Insert cord set (1) into housing and connect black positive wire (2) from cord set to terminal number 5 on the switch.
2. Connect blue wire (4) from the right side of brass heating element (5) to right side of the L-290 thermostat (6).
3. Insert brass heating element unit into housing. Hand tighten the brass nuts (7) on the water line to the element and to the 90 degree fitting from the cup. Tighten 2 mounting screws (8) at the base of heating element. Now, use a 5/8" wrench to securely tighten the brass nuts on the water line to the element and to the 90 degree fitting from the cup. Heating unit may be loosened and adjusted for a better fit if necessary.
4. Place the 4 inch copper grounding strap as shown in drawing. Secure grounding strap and the green ground wire with the grounding screw by attaching to the heating element ground location (3).
5. Connect white wire (9) from the left side of the heater unit to terminal number 6 on switch.
6. Connect yellow wire (10) from the left side of the thermostat to terminal number 3 on the switch.
7. Connect white neutral wire (11) from cord set bundle to orange fusible link with plastic connector (12).
8. Connect other end of orange fusible link to terminal number 2 on the switch.
9. Set steamer upright and place black plastic strain relief (13) approximately 4 1/2" from end of cord set and insert into housing using pliers.
10. Secure bottom plate with four screws.
11. To avoid leakage, be sure to tighten hose (or hat nozzle) with wrench before using steamer.

Jiffy Steamer Company, LLC

 jiffysteamer.com Manufacturing Plant:
 info@jiffysteamer.com 4462 Ken-Tenn Highway
 1.731.885.6690 Union City, Tennessee 38261
 1.731.885.6692 United States of America

